

State of Wyoming Corner Record

(in compliance with the CORNER PERPETUATION AND FILING ACT, Wyoming Statutes, 1977, Section 36-11-101, et. seq., and the Rules and Regulations of the Board of Registration for Professional Engineers and Professional Land Surveyors)

Reverse side of this form may be used if more space is needed.

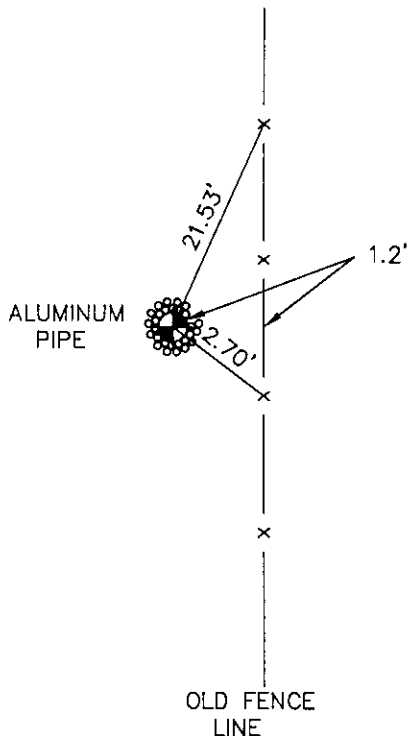
Record of original survey and citation of source of historical information (if corner is lost or obliterated). Description of corner monumentation evidence found and/or monument and accessories established to perpetuate the location of this corner. Sketch of relative location of monument, accessories, and reference points with course and distance to adjacent corner(s) (if determined in this survey). Method and rationale for reestablishment of lost or obliterated corner.

GLO RECORD: SET GRANITE BOULDER 17" X 10" X 5" FOR 1/4 SECTION CORNER.

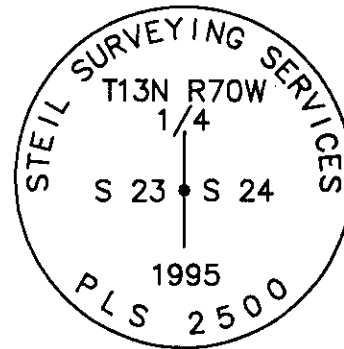
MONUMENT FOUND: FOUND GREY GRANITE STONE 18" X 8" X 6" WITH A FAINT "1/4" ON WEST FACE .

MONUMENT SET: SET 2 1/4" X 30" ALUMINUM PIPE WITH 3 1/4" ALUMINUM CAP PROJECTING 4" ABOVE GROUND, SURROUNDED BY A COLLAR OF STONES. BURIED ORIGINAL STONE UPSIDE DOWN NEXT TO MONUMENT. CAP MARKED AS SHOWN BELOW.

REFERENCES: SET P.K.'S IN FENCE POST, SHOWN BELOW.



176383
 LARAMIE COUNTY CLERK
 CHEYENNE, WY.
 '96 JAN 30 PM 2 43



Date of Field Work: 10-31-95 Office Reference: 95102

CROSS INDEX DIAGRAM

A	2	3	4	5	6	7	8	9	10	11	12	13	14	15	16	17	18	19	20	21	22	23	24	25	
B																									
C	6				5				4					3					2					1	
D																									
E																									
F																									
G	7				8				9					10					11					12	
H																									
J																									
K																									
L	18				17				16					15					14					13	
M																									
N																									
O																									
P	19				20				21					22					23				24		
Q																									
R																									
S																									
T	30				29				28					27					26					25	
U																									
V																									
W																									
X	31				32				33					34					35					36	
Y																									
Z	1	2	3	4	5	6	7	8	9	10	11	12	13	14	15	16	17	18	19	20	21	22	23	24	25

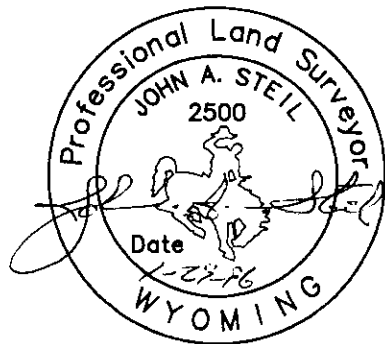
Firm/Agency, Address

STEIL SURVEYING SERVICES, LLC
1102 WEST 19th STREET
CHEYENNE WY 82001

Telephone Number: (307) 634-7273

This corner record was prepared by me or under my direction and supervision.

SEAL & SIGNATURE



BOOK 1416